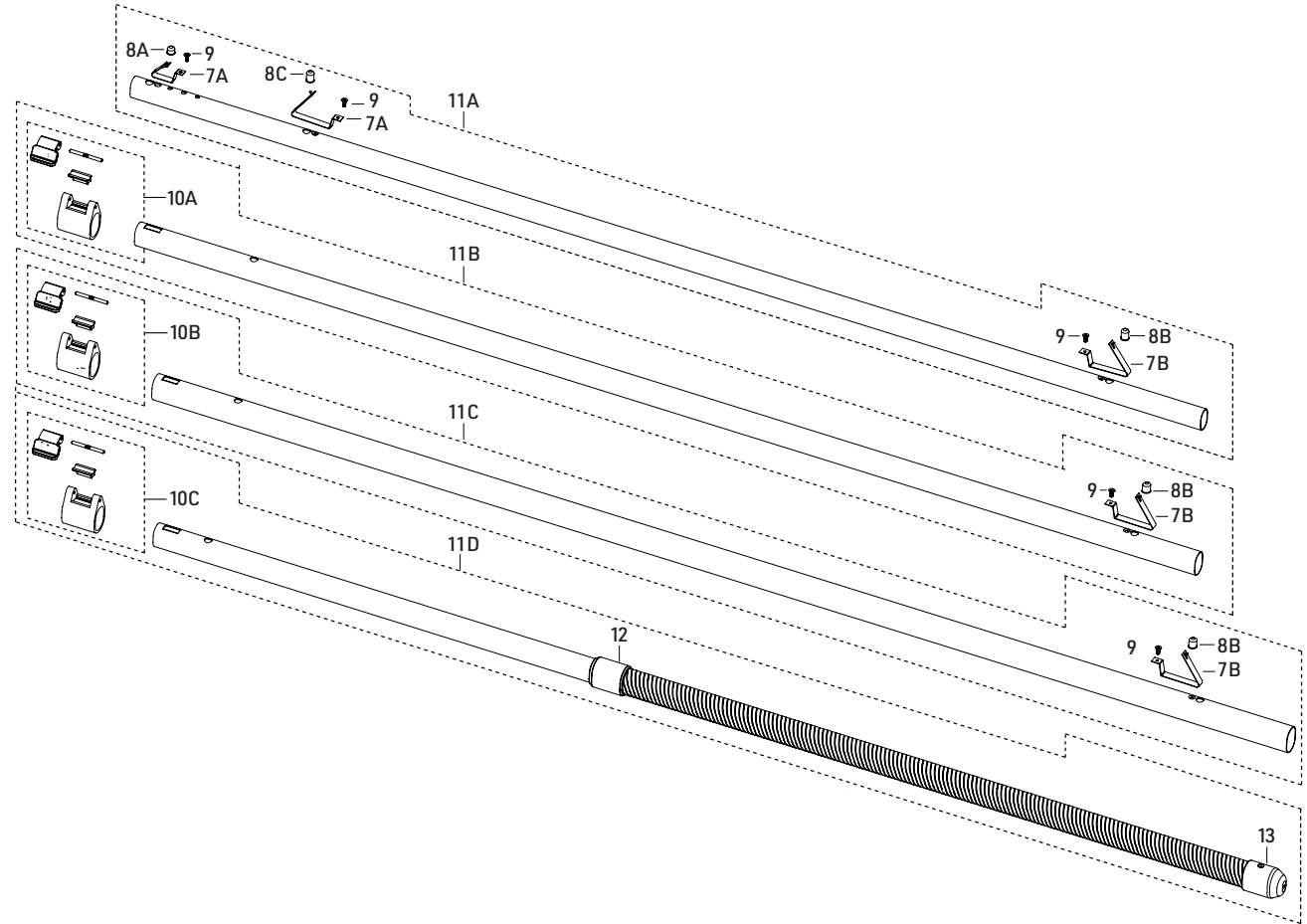


# Nobasu

**Model 4373-42, Aluminum Polesaw**  
**3 Extensions, 6 m / 20 ft**



PART NO.	PART NAME
<b>1</b>	373-42 / 375-70 Hayate blade / sickle
<b>2</b>	370-04-01 Hayate scabbard
<b>3</b>	370-39-51 Hayate blade fixing hardware
<b>4</b>	100-373 Blade fixing pipe
<b>5</b>	110-2 Thumb bolt
<b>6</b>	373-02-41 Head assembly
<b>7A</b>	540-1 Stopper button spring (S)

PART NO.	PART NAME
<b>7B</b>	540-2 Stopper button spring (L)
<b>8A</b>	530-1 Stopper button (S)
<b>8B</b>	530-2 Stopper button (L)
<b>8C</b>	530-3 Stopper button (XL)
<b>9</b>	550-1 Spring fixing screw
<b>10A</b>	500-2-02 Clamp housing set (2)
<b>10B</b>	500-3-03 Clamp housing set (3)

PART NO.	PART NAME
<b>10C</b>	500-4-04 Clamp housing set (4)
<b>11A</b>	420-1A Nobasu top pole assembly
<b>11B</b>	420-2A Nobasu second pole assembly
<b>11C</b>	420-3A Nobasu third pole assembly
<b>11D</b>	420-4A Nobasu base pole assembly
<b>12</b>	600-420-4 Nobasu top grip termination
<b>13</b>	620-420-4 Nobasu rubber base cap